

Curved Washer

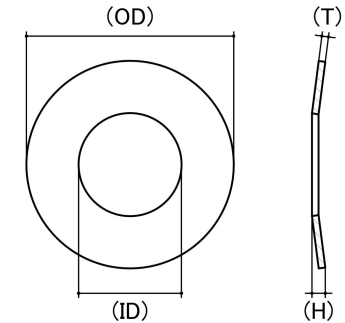
Material: Stainless Steel

Class Grade: A2-70 G304

Corrosion Protection Level: Excellent

Standard: DIN 137A

System Of Measurement: Metric



*CAD drawings shown for graphic representation only.**

Industry Size	Inside Dimension (ID) (mm)		Outside Dimension (OD) (mm)	Thickness (T) (mm)	Unloaded Washer Height (H) (mm)	sku (qfind)
	Min	Max	Nom	Nom	Nom	
M3 x 6 x 0.4	3.10	3.40	6.00	0.40	1.30	71CVS3
M4 x 8 x 0.5	4.10	4.50	8.00	0.50	1.60	71CVS4
M5 x 10 x 0.5	5.10	5.50	10.00	0.50	1.80	71CVS5
M6 x 11 x 0.5	6.10	6.70	11.00	0.50	2.20	71CVS6

Disclaimer:

Dimensional data and technical information was obtained from publically available sources and not acquired through standard agencies. It has been completed and compiled for reference purposes only; where discrepancies are found they are subject to change without notice. Bolt & Nut Australia makes no warranties or representations regarding the accuracy and validity of the compiled information and data. Contact the relevant standard authorities for accurate and detailed information.

* CAD drawings may not reflect diameter, thread length or overall length.

© Bolt & Nut Australia Pty Ltd. All rights reserved.

Version: 18 Mar 2024